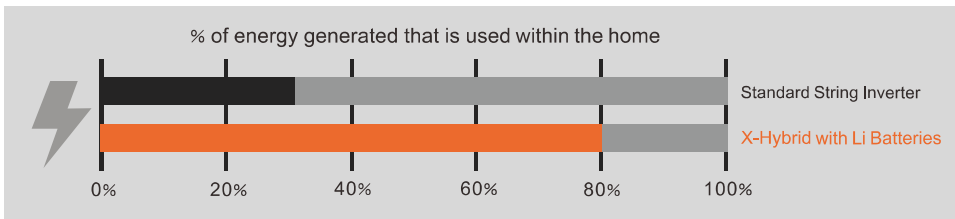
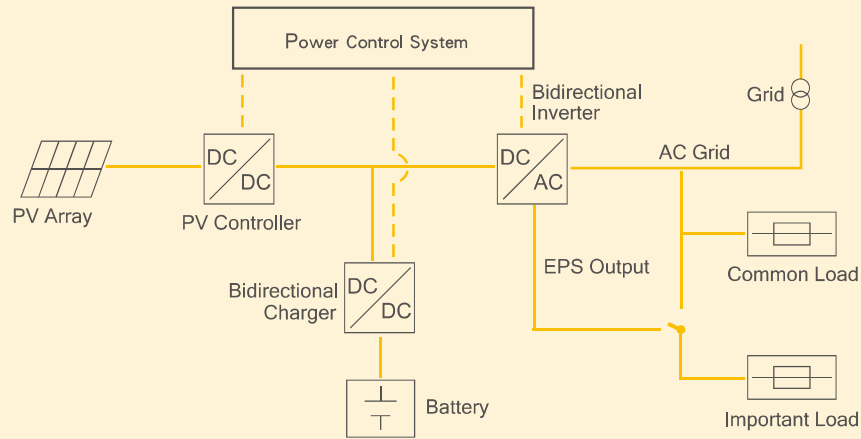


HYBRID WORKING THEORY

X-Hybrid Self-use Energy Storage System converts DC electricity generated by solar panels to AC electricity for grid and load to DC for the battery.

The electricity will be provided for load first, and the excessive electricity will be stored in the battery.

after the battery is fully charged, the electricity will be fed into the grid. Once the power goes down, the inverter will activate the Emergency Power Supply (EPS) to ensure the energy from the panels and batteries can be used to power the home.



X-HYBRID ADVANTAGES

COMPARED TO TRADITIONAL GRID-TIED SOLAR SYSTEM

- Save money on your power bills by increasing the proportion of self-use electricity generated by your solar system from 30% to more than 80%.
- Save money by becoming independent from ever increasing energy prices.
- Reduce stress on the grid by reducing your solar power feed.
- Manage property consumption and generation remotely via built-in CT & WIFI monitoring solution.

COMPARED TO OTHER BRANDS

- Reliable**
 - European and American and Japanese made key components.
- Efficient**
 - Highly effective solar power utilisation and long battery life by intelligent designed charging module.
- User-friendly**
 - Intelligent man-machine interaction mode.

X-Hybrid Solar Inverter (City Solution)

Model	SK-TL3000C	SK-TL3700C	SK-TL5000C
► Input (DC)			
Max. recommended DC power [W]	3300	4000	5000
Max. DC voltage [V]	550		
Nominal DC operating voltage [V]	360		
MPPT voltage range [V]	125-530		
Max. input current [A]	12	12/12	12/12
Max. short circuit current [A]	15	15/15	15/15
Number of MPP trackers	1	2	2
Strings per MPP tracker	1	1	1
► Output (AC)			
AC nominal power [W]	3000	3680	4600
Nominal AC voltage; range [V]	230VAC 50/60HZ; 180~270VAC		
AC nominal current [A]	13	16	20
Max. AC current [A]	14.4	16	22.1
Total harmonic distortion (THD)	<3%		
Power factor (rated power)	1		
Displacement power factor	0.9leading...0.9lagging [0.95leading...0.95lagging(AUS only)]		
► Efficiency			
MPPT efficiency	99.9%	99.9%	99.9%
Euro-efficiency	97.0%	97.0%	97.0%
Max. efficiency	97.6%	97.6%	97.6%
Standby losses	<7W		
► Display			
LCD	Backlight 16+4 character		
Communication interfaces	Ethernet/Dry contact /WIFI		
LED light	4		
Button	4		
► Others			
DC switch	Optional		
Max. No. of supported external charger	1		
Operating temperature range [°C]	-10~+50 (derating at 40)		
Storage stability range [°C]	-20~+60		
Altitude [m]	<2000		
Cooling concept	Forced airflow		
Noise emission (typical) [dB]	<40		
Humidity [%]	0~95 (non-condensing)		
Protection class	IP20 (for indoor use)		
Overvoltage category	III (electric supply side), II (PV side)		
EMC standard	IEC61000-6-1/2/3/4		
Topology	Transformer-less		
Warranty	Standard 5 years		
Dimensions (W / H / D) [mm]	490 x 595 x 167		
Weight [kg]	23.5		
Certificate	Germany, Australia,Belgium, Netherlands, Denmark, Austria,UK,Italy		

X-Hybrid Solar Inverter (Backup Solution)

Model	SK-TL3000E	SK-TL3700E	SK-TL5000E
► EPS only with external charger (support up to max. 100A charger)			
EPS rated power [VA]	3000	3680	4000
EPS rated voltage, Frequency	230VAC 50/60HZ		
EPS rated current [A]	13	16	17.3
EPS peak power [VA]	1.5xPrated, 10s	1.5xPrated, 10s	1.5xPrated, 10s
Total harmonic distortion (THD)	<3%		
Switch time	<5s		